

Warystory przewlekane

Features:

Wide Operating voltage (V1mA) range from 18V~1800V
 Withstanding Surge Current: 500~3500A
 Model Size: 10mm
 Fast responding to transient over-voltage<25ns
 Low Clamping ratio and no following-on current
 Rohs Compliant

Application:

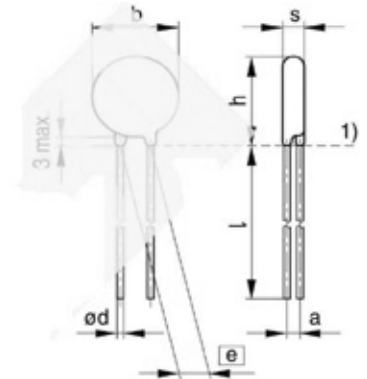
Transistor, Diode, IC, Thyristor or diac semiconductor protection
 Surge protection in consumer electronics
 Surge protection in industrial electronics
 Surge protection in electronic home appliance, gas and petroleum.
 Relay and electromagnetic valve surge absorption

How to order:

EV3	10	D	471	K	T
MARKing	Chip Diameter	D: Disk	Voltage	Tolerance	Packing Style
	05 : 5mm	S: Square	471:47x 10'	K:±10%	T: Tape
	07 : 7mm	E: Other		L:±15%	
	10 : 10mm				Nothing: bulk
	14 : 14mm				
20 : 20mm					

Diameter And Size(Unit: mm)

Voltage	B (Max.)	H (Max.)	L (Min.)	E ±1	ød (Max.)	S (Max.)
180K-680K	13	15	25	7.5	0.8	5.0
820K-201K	13	15	25	7.5	0.8	5.0
221K-331K	13	15	25	7.5	0.8	5.5
361K-471K	13	15	25	7.5	0.8	6.0
511K-561K	13	15	25	7.5	0.8	6.5
621K-681K	13	15	25	7.5	0.8	7.0
751K-821K	13	15	25	7.5	0.8	7.5
911K-122K	13	15	25	7.5	0.8	8.0
142K-162K	13	15	25	7.5	0.8	10.0
182K	13	15	25	7.5	0.8	12.0



Electrical Characteristics

Part number	Voltage at DC _{1mA} (25°C)	Max. Continuous Applied Voltage		Max. Voltage at Class Current Vc(V)	Class Current (8/20us) Ip(A)	Energy Surge (10/1000us) high(J)	Std. Energy (J)	Max. Peak Current (A)	Std. I(A)	Rated Power (W)	Typical Capatance @1KHz(pf)
		AC(V)	DC(V)								
EV3-10D180L	18(15-21.6)	11	14	38	5	2.3	2	1000	500	0.05	7500
EV3-10D220K	22(19.5-24)	14	18	43	5	2.6	2.2	1000	500	0.05	6000
EV3-10D270K	27(24-31)	17	22	53	5	3.9	3.2	1000	500	0.05	4800
EV3-10D330K	33(29.5-36.5)	20	26	65	5	4.8	4	1000	500	0.05	4200
EV3-10D390K	39(35-43)	25	31	77	5	5.6	4.7	1000	500	0.05	3700
EV3-10D470K	47(42-52)	30	38	93	5	6.8	5.6	1000	500	0.05	3300
EV3-10D560K	56(50-62)	35	45	110	5	8.1	6.7	1000	500	0.05	2900
EV3-10D680K	68(61-75)	40	56	135	5	10	8.2	1000	500	0.05	2500
EV3-10D820K	82(74-90)	50	65	135	25	14	10	3500	2500	0.4	2100
EV3-10D101K	100(90-110)	60	85	165	25	17	12	3500	2500	0.4	1700
EV3-10D121K	120(108-132)	75	100	200	25	20	15	3500	2500	0.4	1500
EV3-10D151K	150(135-165)	95	125	250	25	25	18	3500	2500	0.4	1300
EV3-10D181K	180(162-198)	115	150	300	25	32	21	3500	2500	0.4	470
EV3-10D201K	200(180-225)	130	170	340	25	35	25	3500	2500	0.4	430
EV3-10D221K	220(198-242)	140	180	360	25	39	28	3500	2500	0.4	390
EV3-10D241K	240(216-264)	150	200	395	25	42	30	3500	2500	0.4	360
EV3-10D271K	270(243-297)	175	225	455	25	49	35	3500	2500	0.4	330
EV3-10D301K	300(270-330)	195	250	505	25	54	38	3500	2500	0.4	290
EV3-10D331K	330(297-363)	210	275	550	25	58	42	3500	2500	0.4	280
EV3-10D361K	360(324-396)	230	300	595	25	65	45	3500	2500	0.4	260
EV3-10D391K	390(351-429)	250	320	650	25	70	50	3500	2500	0.4	240
EV3-10D431K	430(387-473)	275	350	710	25	80	55	3500	2500	0.4	220
EV3-10D471K	470(423-517)	300	385	775	25	85	60	3500	2500	0.4	190
EV3-10D511K	510(459-561)	320	418	842	25	92	67	3500	2500	0.4	180
EV3-10D561K	560(504-616)	350	460	920	25	93	69	3500	2500	0.4	180
EV3-10D621K	620(558-682)	385	510	1025	25	97	70	3500	2500	0.4	160
EV3-10D681K	680(612-748)	420	560	1120	25	100	72	3500	2500	0.4	140
EV3-10D751K	750(675-825)	460	615	1240	25	105	75	3500	2500	0.4	130
EV3-10D781K	780(702-858)	485	640	1290	25	107	77	3500	2500	0.4	130
EV3-10D821K	820(738-902)	510	670	1335	25	110	80	3500	2500	0.4	130
EV3-10D911K	910(819-1002)	510	670	1335	25	130	90	3500	2500	0.4	120
EV3-10D951K	950(855-1045)	510	670	1335	25	135	95	3500	2500	0.4	110
EV3-10D102K	1000(900-1102)	625	825	1650	25	140	100	3500	2500	0.4	100
EV3-10D112K	1100(990-1212)	680	895	1815	25	155	110	3500	2500	0.4	90
EV3-10D182K	1800(1620-1982)	1000	1465	2970	25	247	183	3500	2500	0.4	60