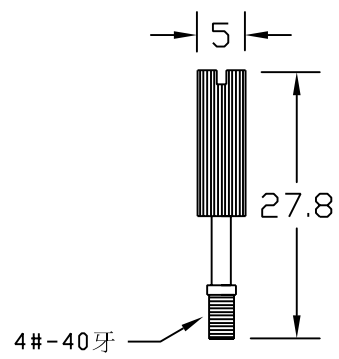
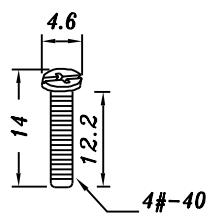
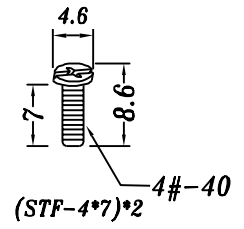
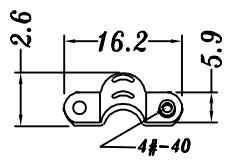
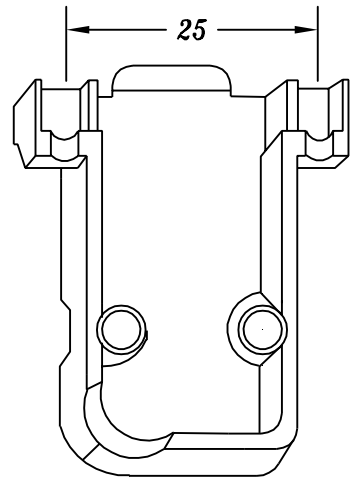
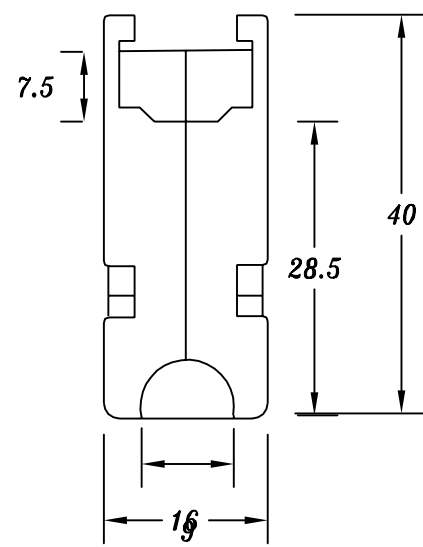
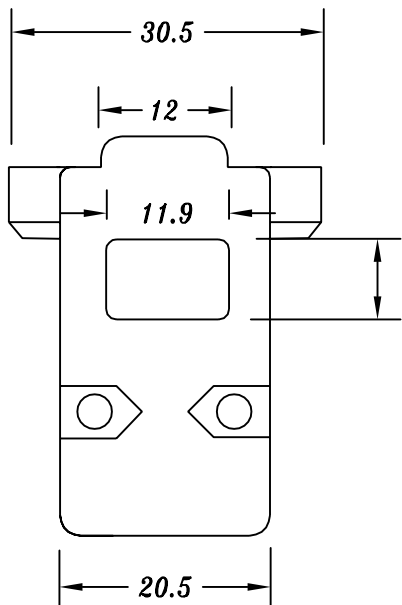


REV.	ECN NO	LOCATIONS	DESCRIPTION	DATE	REVISER	APPD



(SG-D09-1)*2

(STF-4*7)*2

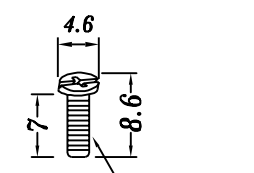
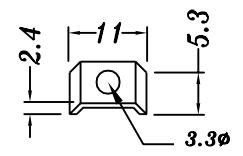
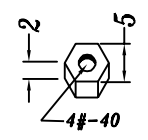
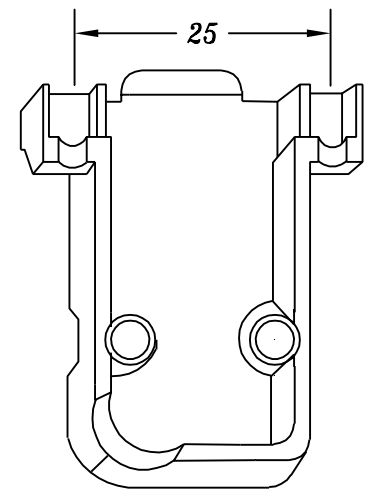
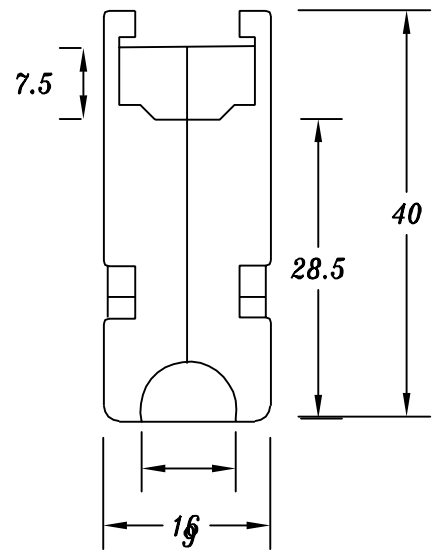
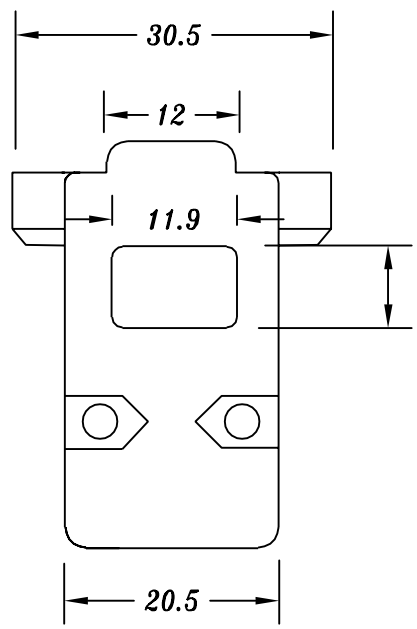
(STF-4*12.5)*2

(SN-4*5)*2

(STL-5*27.8)*2

PART NO:		MATERIAL:		CHANG ENN CO., LTD	
MODEL NO:		FINISH:			
UNIT: mm	SIZE:	COLOR:		PART NAME:	
TOLERANCE UNSPECIFIED		DR:		D-SUB Hood 09Pin(OD-45°) Long Screw	
.x	±0.3	CHK:		DWG NO: PH03-09L	REV: A0
.xx	±0.20	APP:		SCALE:	SHEET: 1 of 1
.xxx	±0.100				
ANG.	±1°				

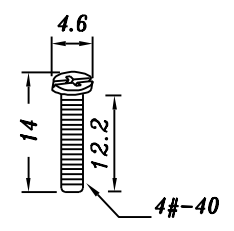
REV.	ECN NO	LOCATIONS	DESCRIPTION	DATE	REVISER	APPD



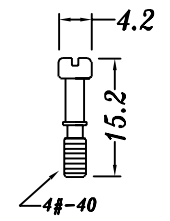
(SN-4*5)*2

(SSW-4)*2

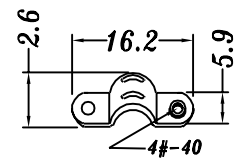
(STF-4*7)*2
4#-40



(STF-4*12.5)*2

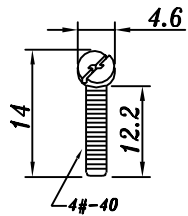
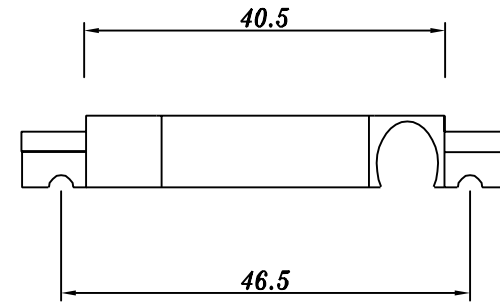
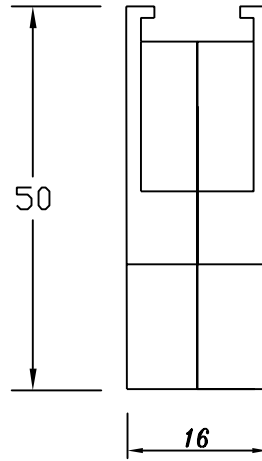
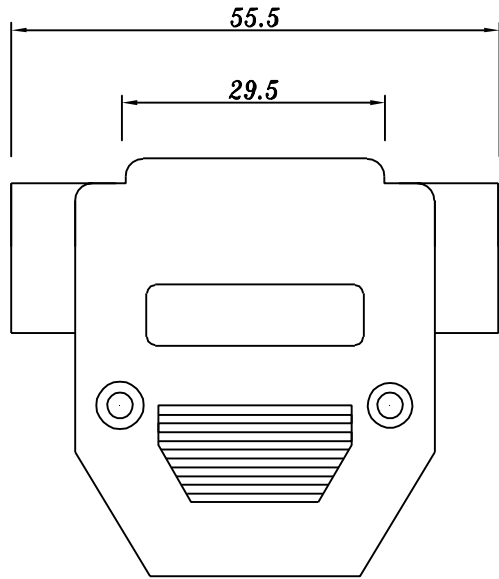


(STB-4*12.5)*2

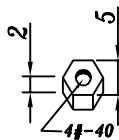


(SG-D09-1)*2

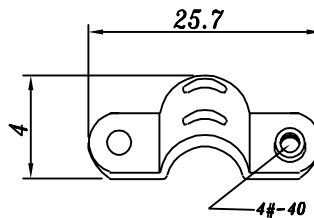
PART NO:		MATERIAL:		CHANG ENN CO., LTD
MODEL NO:		FINISH:		
UNIT: mm	SIZE:	COLOR:	PART NAME: D-SUB Hood 09Pin (0D-45*)Short Screw	
TOLERANCE UNSPECIFIED		DR:	DWG NO: PH03-09S	
.x ±0.3	.xx ±0.20	CHK:	SCALE:	REV: AO
.xxx ±0.100	ANG ±1°	APP:	SHEET: 1 of 1	



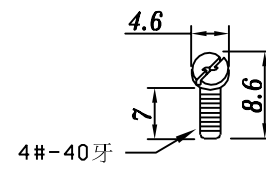
(STF-4*12.5)*2



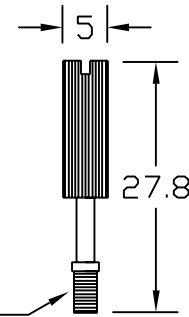
(SN-4*5)*2



(SG-D25-1)*2



(STF-4*7)*2



(STL-5*27.8)*2

 Chang Enn Co., Ltd.

NO.410, FU-TEH 1ST ROAD,
SHIJR, TAIPEI COUNTY
221, TAIWAN, R.O.C.

TEL: 886-2-26945824

FAX: 886-2-26946971

TITLE

PARTS NO.

DWG. NO.

D-SUB Hood 25Pin
(OD=45°)Long Screw

PH03-25L

GENERAL
TOLERANCE

DIM:
X. ±0.30
X.X ±0.20
X.XX±0.10

DRAWN

CHECK

APPROVE

SCALE

DATE 93/12/01

DATE

DATE

UNIT

FREE

MM

REV.

A