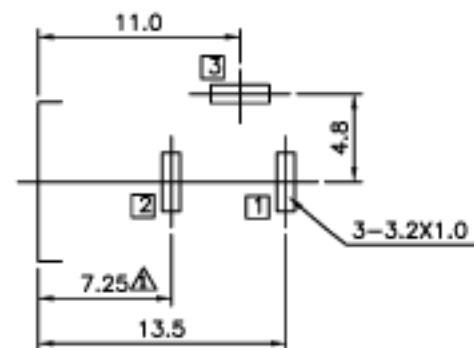
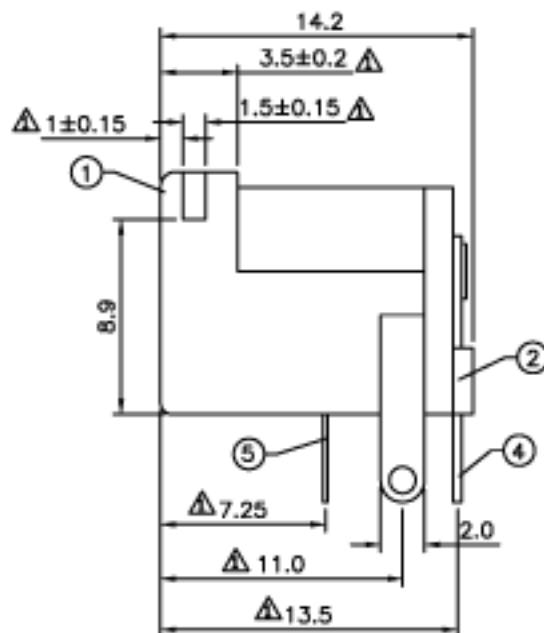
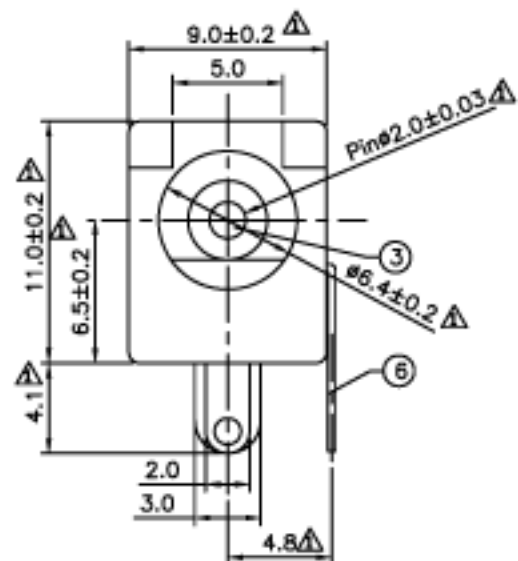
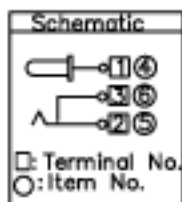


SPECIFICATION

Rating:DC 30V 0.5A
 Contact Resistance:0.03ohms
 Insulation Resistance:100Megohms(DC250V)
 Withstand Voltage:500VAC
 Insertion And Extraction Force:3-20N
 Life Test:5,000 Cycles
 RoHS Compliant



P.C.B Layout
(Copper-sided) view



⑥	Shunt Terminal	1	Brass t=0.5	Sn-Plating
⑤	Tip Spring	1	Bronze t=0.30	Sn-Plating
④	Center Pin Terminal	1	Brass t=0.40	Sn-Plating
③	Center Pin	1	Brass	Ni-Plating
②	Cover	1	PBT	
①	Housing	1	PBT	
NO.	Description	Q'ty	Material	Plating