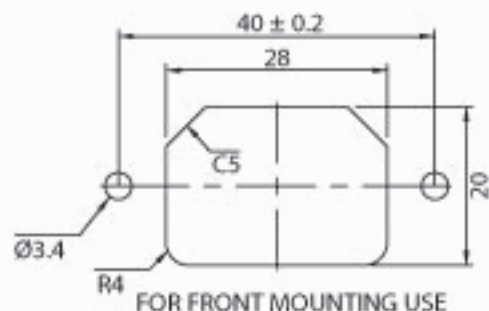


FOR REAR MOUNTING USE  
PANEL CUTOUT



FOR FRONT MOUNTING USE  
PANEL CUTOUT

