

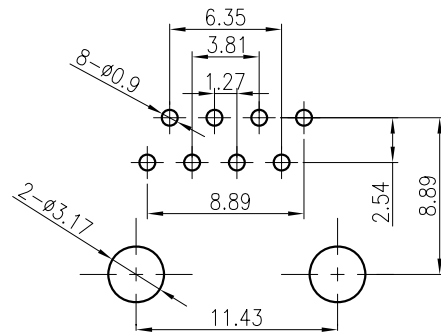
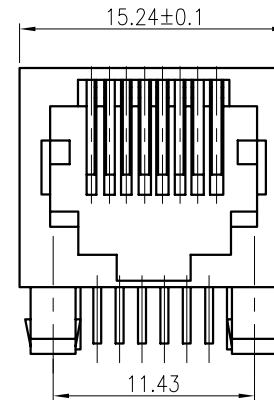
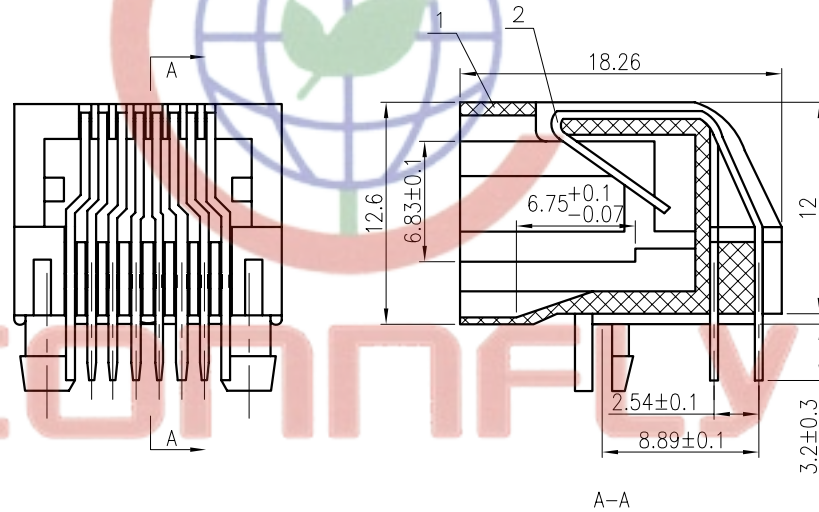
REV.	DESCRIPTION	DRAWN	CHECKED	APPROVED
A	NEW RELEASE	LL 06/26/06'		

SPECIFICATION

1. Insulation Resistance:1000MΩ Min.
2. Withstand Voltage:500V AC/Minute.
3. Durability:600 Mating Cycles Min.
4. Product Number Code:

DS1134-04-X X X X X

- Housing Materials
P:PBT
N:NYLON
- Housing Color
B:Black
- Contact Plating
0:Gold Flash
3:Selective 3u" Gold
(6;15;30)Micro Inch
- No.Of Contacts
8:8P8C
- Connector Type
S:Socket
- Series No.
DS1134-04



RECOMMEND PCB LAYOUT(TOLERANCE=±0.05)


Tel: 86-574-63508787

Fax: 86-574-63510817

GENERAL TOLERANCE		ANGLE TOLERANCE		PROJECTION	TITLE
X	±0.60	X	±5°	mm	PCB JACK 8P
.X	±0.38	.X	±3°	A4	SERIES DS1134-04 SERIES
.XX	±0.25	.XX	±2°		

No.	PART NAME	Q'TY	MATERIAL	REMARK
(2)	PIN		PHOSPHOR BRONZE	GOLD PLATING OVER NICKEL
(1)	HOUSING	1	PBT OR NYLON	UL94 V-0 OR 94 V-2

DRAWING TYPE	CUSTOMER
SCALE	1:1 SHEET 1 OF 1
DRAWING NO.	C-DS1134-04-XXXXX


晨翔电子有限公司
CONNFLY ELECTRONIC CO. LTD