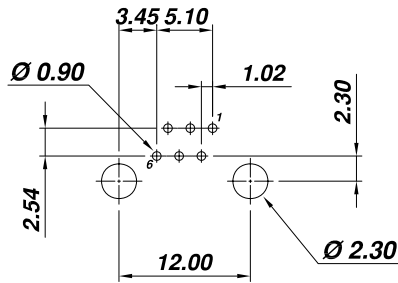
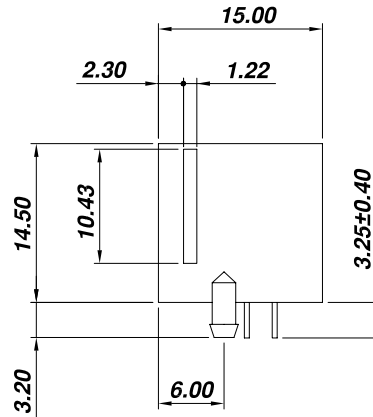
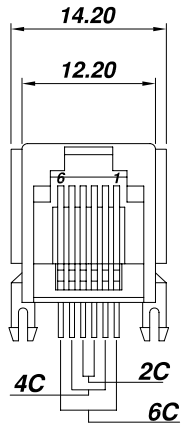
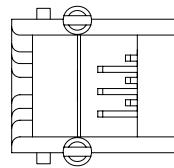


RoHS Compliant



PCB LAYOUT
(Top View)



SPECIFICATION :

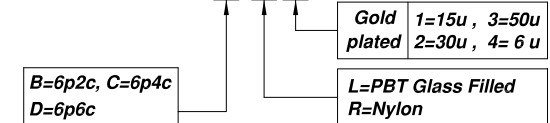
1. Electrical Char.

- Insulation Resistance : 500M-Ohm Min.
- Contact Resistance : 20milli-Ohm Max.
- Rating Current : 1.5A Max.
- Rating Voltage : 120V AC.
- Dielectric Voltage : 1,000 Vrms 60 Sec. Min.

2. Physical char.

- Housing (Option) :
 - PBT Glass Filled (UL 94V-0), Soldering Temperature:235°C
 - Nylon (UL 94V-0), Soldering Temperature:260°C
- Color : Black / Medium Gray Color
- Spring Wire:
 - 0.45mm Dia. Phosphor bronze Gold Plating Over Nickel
- Temperature Range : - 40°C / +85°C
- Durability : 500 Mating cycles Min.

AJ-010-6-X-XX



ALLSUN CORPORATION

9FL,NO.292 SEC.7 CHENG TEH ROAD.TAIPEI TAIWAN.
E - mail Address : allsun @ globalsources. com

TITLE

**RJ11 or RJ12 Mini Low Profile PCB Jack
UL & cUL FILE NO. E131820**

**MODULAR JACKS ASSY FOR
AJ-010-6-X-XX**

SCALE SIZE DWG. NO. 9606 SERIES

DWG. NO.

AST010002-1

NOT SCALED DRAWING	TOLERANCE UNLESS OTHERWISE NOTICE	INCH	MM	DR.	DATE
THIRD ANGLE PROJECTION	LINEAR	.00±0.01 .000±0.005 .0000±0.002	.00±0.25 .000±0.13 .0000±0.05	Steven CK'D Johnn APP'D Billy	JUL-01 '08 JUL-01 '08 JUL-01 '08
	ANGLE +0°30'	RADIL	+0.45 -0.15		