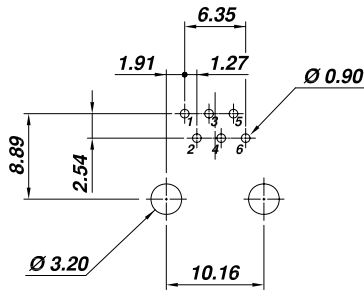
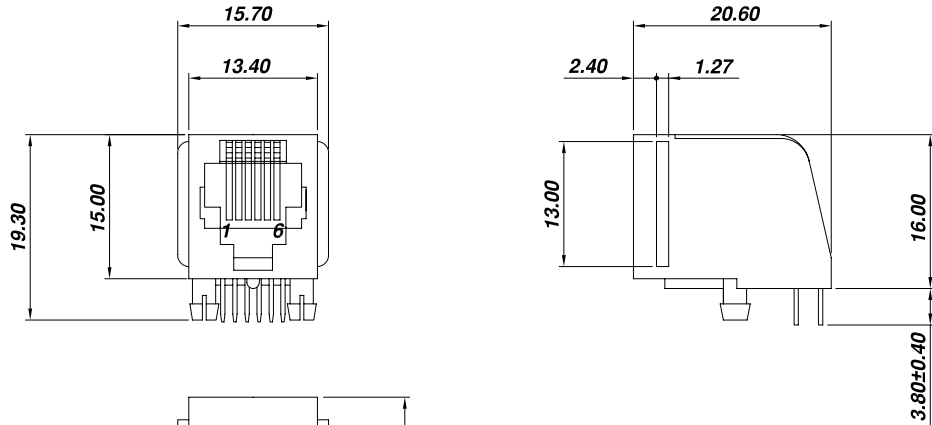


RoHS Compliant



PCB LAYOUT
(Top View)

SPECIFICATION :

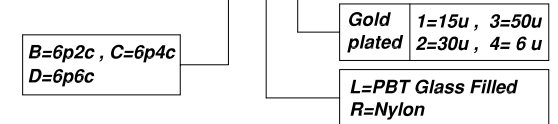
1. Electrical Char.

- Insulation Resistance : 500M-Ohm Min.
- Contact Resistance : 20milli-Ohm Max.
- Rating Current : 1.5A Max.
- Rating Voltage : 120V AC.
- Dielectric Voltage : 1,000 Vrms 60 Sec. Min.

2. Physical char.

- Housing (Option) :
 - PBT Glass Filled (UL 94V-0), Soldering Temperature:235°C
 - Nylon (UL 94V-0), Soldering Temperature:260°C
- Color : Black Color
- Spring Wire:
 - 0.35mm Thickness Phosphor bronze Gold Plating Over Nickel
- Temperature Range : - 40°C / +85°C
- Durability : 500 Mating cycles Min.

AJ-005-6-X-XX



ALLSUN CORPORATION
 9FL,NO.292 SEC.7 CHENG TEH ROAD.TAIPEI TAIWAN.
 E - mail Address : allsun @ globalsources. com

TITLE
RJ11 or RJ12 SIDE ENTRY PCB JACK
UL & cUL FILE NO. E131820

MODULAR JACKS ASSY FOR
AJ-005-6-X-XX

SCALE SIZE DWG. NO.9602 SERIES

DWG. NO. **AST005001-1**

NOT SCALED DRAWING	TOLERANCE UNLESS OTHERWISE NOTICE	INCH	MM	DR.	DATE
THIRD ANGLE PROJECTION	LINEAR	MM	.00±0.01	Steven	JUL-01 '08
		INCH	.000±0.005	CK'D	
			.000±0.002	Johnn	JUL-01 '08
			.000±0.13	APP'D	
			.0000±0.05	Billy	JUL-01 '08
	ANGLE +0° 30'	RADIL	+0.45		
			-0.15		